

# Splitters

## M12 Eurofast® 2-Branch Splitters, NAMUR Wiring

- Combine two NAMUR Sensors into one Cable
- Eurofast Connection features Anti-Vibration Coupling Nut (main leg only)
- Tough TPU Body resists Oil and Abrasion
- Compact size saves space

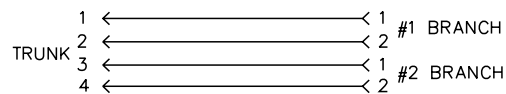


Housing	Part Number	Features	Wiring Diagram
	VBRS 4.41-2RK 4.21T-*/**	250 V, 4.0 A, 2x20 AWG, Blue PVC, 5.1 mm OD, combine two NAMUR sensors into one cable. Connects directly to Eurofast junction box.	NAMUR

\* Length in meters.  
To add mounting hole, add /S857 to the end of the part number.

We reserve the right to make technical alterations without prior notice.

### Namur Wiring Diagram

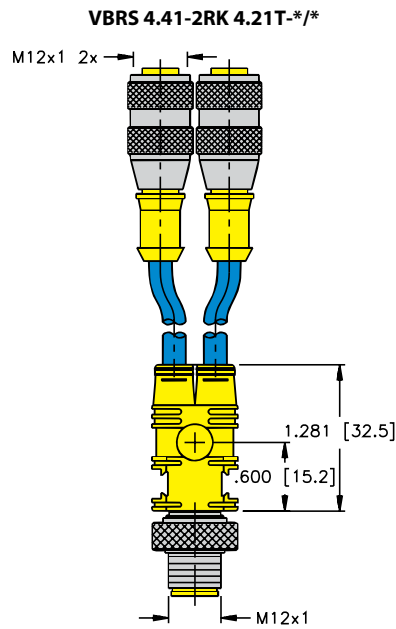


M12 Eurofast® 2-Branch Splitters, NAMUR Wiring

Specifications

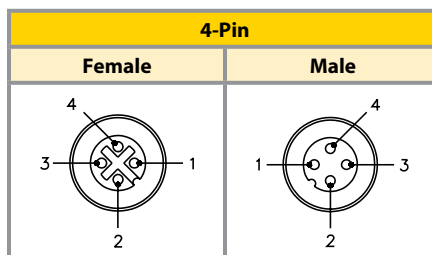
<b>Junction Body:</b>	Oil resistant yellow TPU	<b>Cable:</b>	See table
<b>Connector:</b>	Oil resistant TPU body material, Nylon or TPU contact carrier	<b>Temperature:</b>	-40 °C to +105 °C (-40 °F to +221 °F)
<b>Contacts:</b>	Gold plated brass, machined from solid stock	<b>Protection:</b>	NEMA 1, 3, 4, 6P and IEC IP67
<b>Coupling Nuts:</b>	Nickel plated brass	<b>Accessories:</b>	KS 5/10 labels 2 of each included

**Cable Length:** Branches - nominal 0.3 meters. Other lengths available by request - consult factory.



We reserve the right to make technical alterations without prior notice.

Pinouts



# Splitters

## M12 Eurofast® and M8 Picofast® 2-Branch Molded Splitters

- Combine two Picofast or Eurofast Connections into one Eurofast Receptacle
- Eurofast Connection features Anti-vibration Coupling Nut (main leg only)
- Compact size saves space
- Tough TPU Body resists Oil and Abrasion



Housing	Part Number	Features	Wiring Diagram
	<b>VBRK 4.4-2ESM 3S</b>	60 VAC/75 VDC, 4.0 A, for sensors with complementary outputs, splits signals. Branches have snap lock	Diagram A
	<b>VBRS 4.4-2SKM 3</b>	60 VAC/75 VDC, 4.0 A, combine two sensors into one cable. Connects directly to Eurofast junction box. Branches have threaded coupling nut	Diagram B
	<b>VBRS 4.4-2PKG 3M-*/**</b>	60 VAC/75 VDC, 4.0 A, 3x24 AWG, Yellow PVC, 4.4 mm OD, combine two sensors into one cable. Connects directly to Eurofast junction box. Branches have threaded coupling nut	Diagram B
	<b>VBRS 4.4-2PKG 3Z-*/**</b>	60 VAC/75 VDC, 4.0 A, 3x24 AWG, Yellow PVC, 4.4 mm OD, combine two sensors into one cable. Connects directly to Eurofast junction box. Branches have snap lock	Diagram B
	<b>VBRS 4.4-2RK 4T-*/**</b>	250 V, 4.0 A, 3x20 AWG, Grey PVC, 5.1 mm OD, combine two sensors into one cable. Connects directly to Eurofast junction box	Diagram B

\* Length in meters.  
To add mounting hole, add /S857 to the end of the part number.

We reserve the right to make technical alterations without prior notice.

### Wiring Diagrams

Diagram A

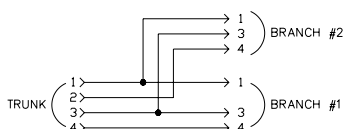
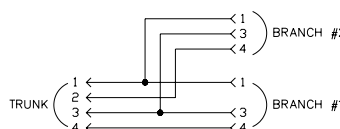


Diagram B



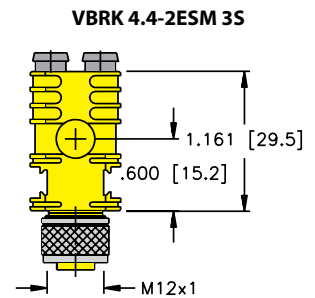
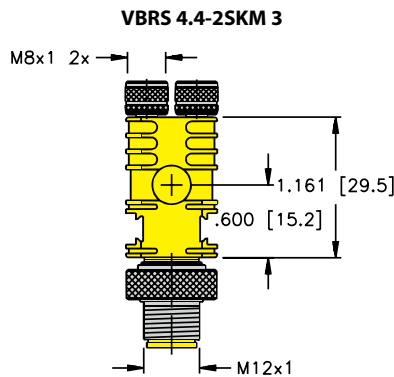
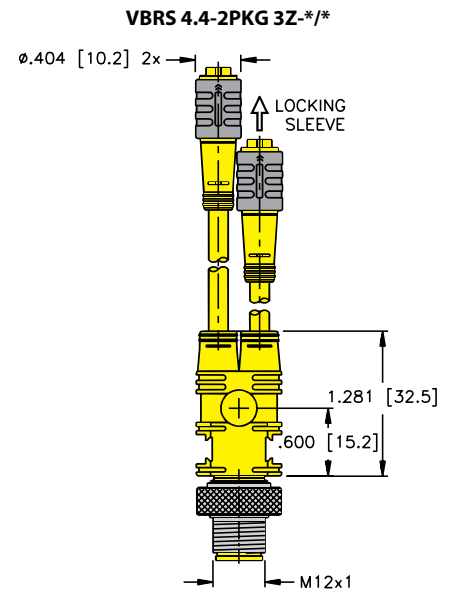
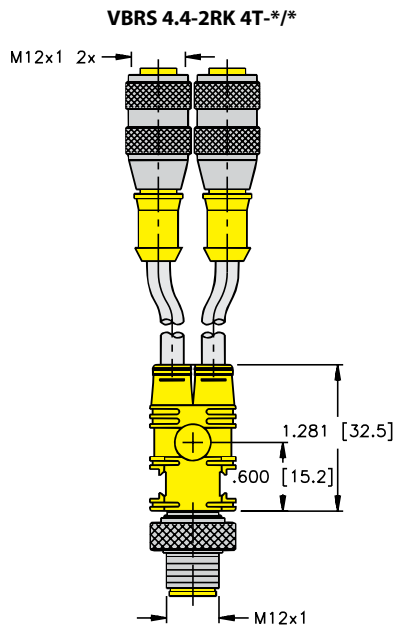
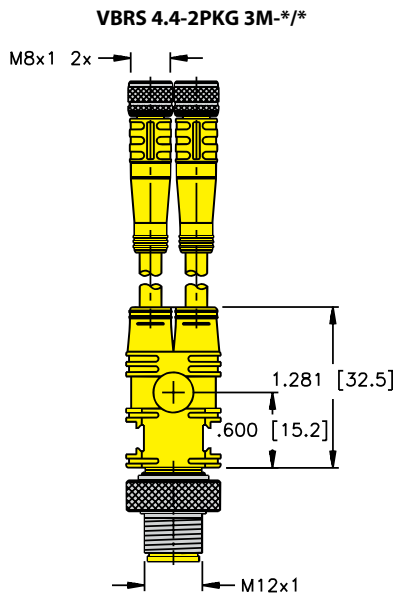
M12 Eurofast® and M8 Picofast® 2-Branch Molded Splitters

Specifications

<b>Junction Body:</b>	Oil resistant yellow TPU	<b>Cable:</b>	See table
<b>Connector:</b>	Oil resistant TPU body material, Nylon or TPU contact carrier	<b>Temperature:</b>	-40 °C to +105 °C (-40 °F to +221 °F)
<b>Contacts:</b>	Gold plated brass	<b>Protection:</b>	NEMA 1, 3, 4, 6P and IEC IP67
<b>Coupling Nuts:</b>	Nickel plated brass. POM locking sleeve	<b>Accessories:</b>	KS 5/10 labels included

**Cable Length:** Branches - nominal 0.3 meters. Other lengths available by request - consult factory.

We reserve the right to make technical alterations without prior notice.



Pinout

3-Pin Picofast	4-Pin Eurofast	3-Pin Picofast	4-Pin Eurofast
Female		Male	